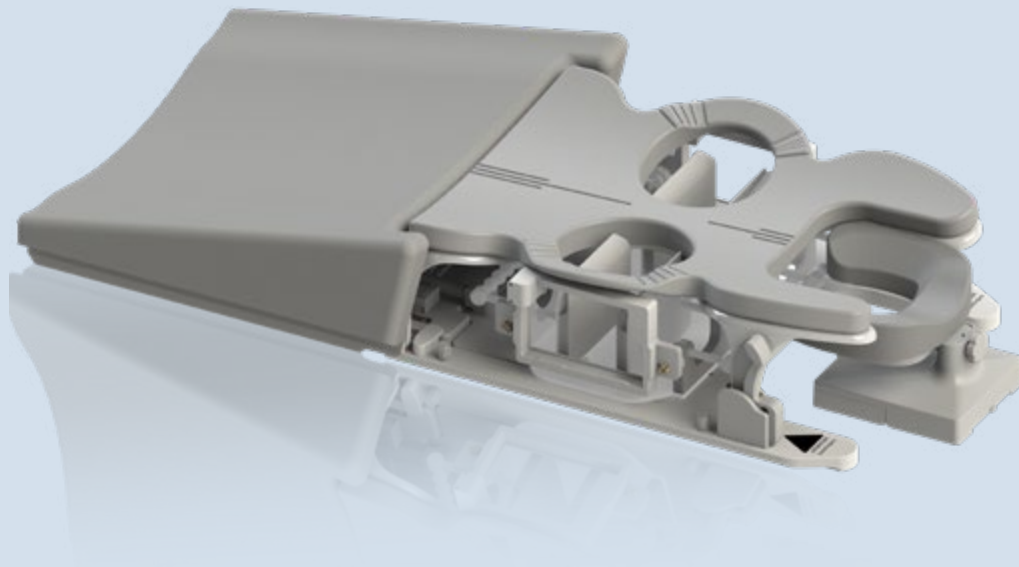


MR BREAST SOLUTION FROM NORAS MRI PRODUCTS

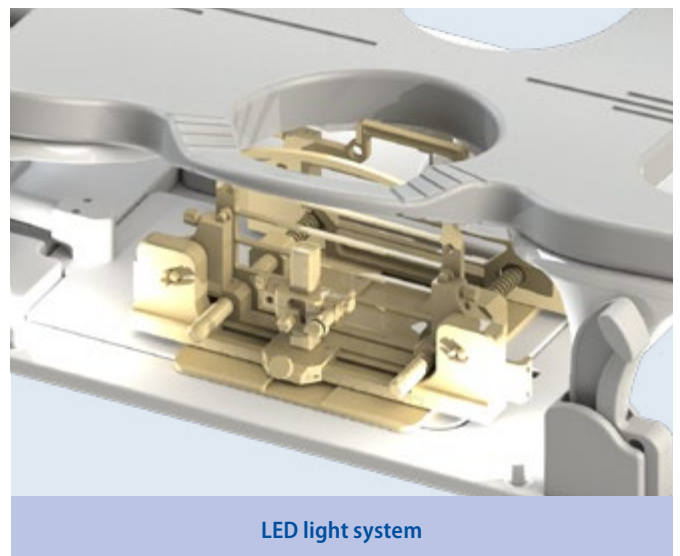
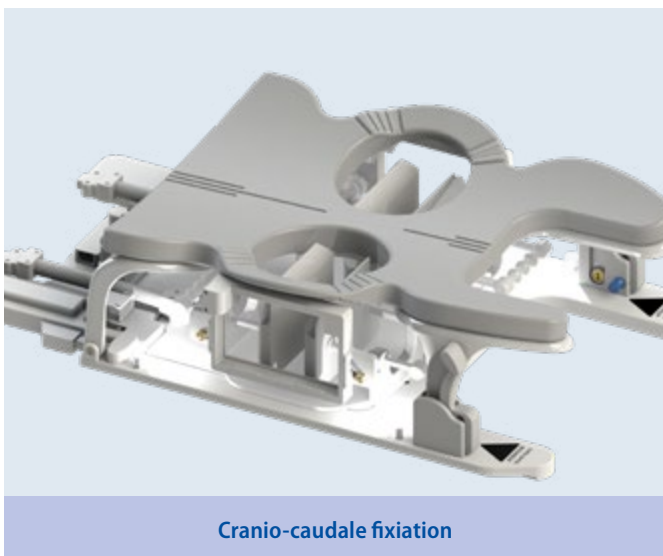
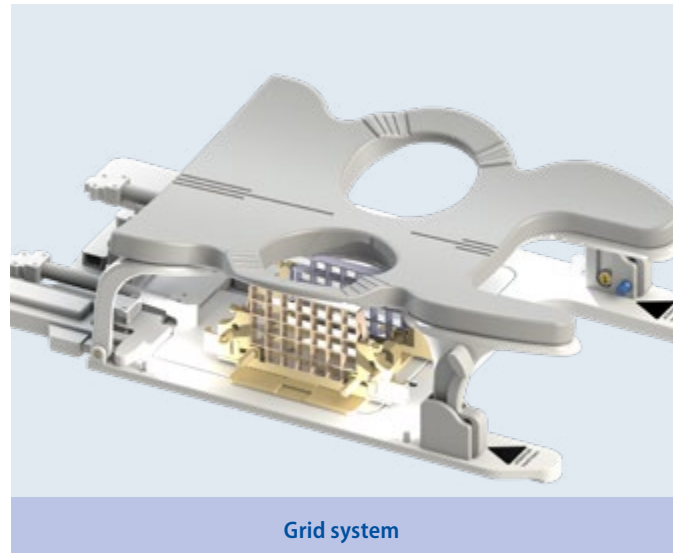
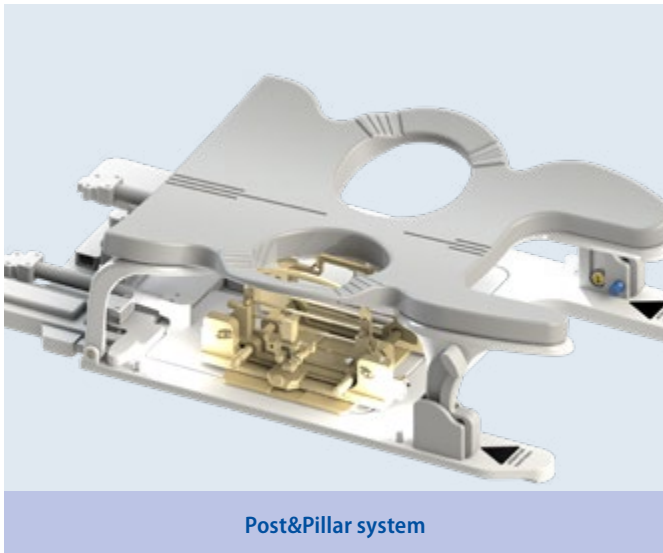
BI 6 Comfort 1,5T & 3T**Advanced Flexibility &
High Resolution Imaging**

The **NORAS BI 6 Comfort Coil** Set is designed as an innovative solution to adapt to the requirements in your practice workflow. The height-adjustable coil frame includes a 6-channel „phased array“ with a high element density for high-resolution imaging. With a generous lateral and medial access to the biopsy, the BI 6 Comfort coil gives you the flexibility to perform your biopsy in a patient-centered manner.

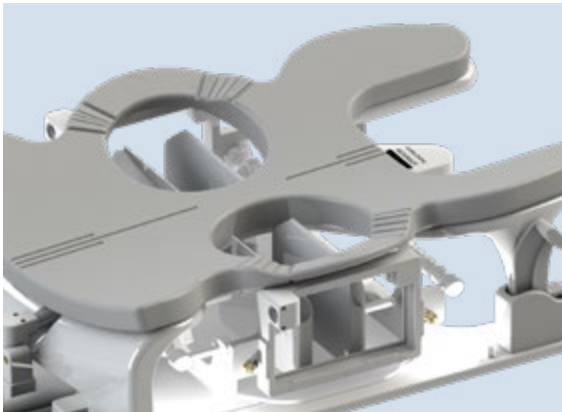
Designed for an optimized workflow and tailored to the patient's needs.

Advanced Flexibility – Your Advantages

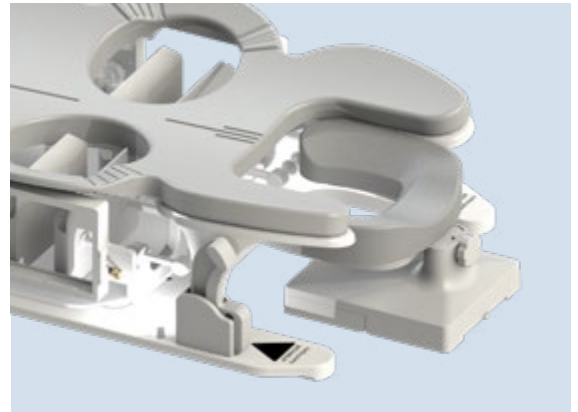
- Increased comfort through a soft patient support cushion, as well as a dedicated height-adjustable head rest
- Adaptation to breast volume through height-adjustable patient positioning
- Integrated LED light system provides an optimally illuminated working environment to support your biopsy workflow
- High-resolution image quality with high homogeneity
- Very good illumination of the axilla
- Cranio-caudal fixation of the breasts for optimized diagnostic imaging
- Flexible and wide access for breast biopsy.
- Compatible with established biopsy units from NORAS. Choose between Post&Pillar or Grid Method



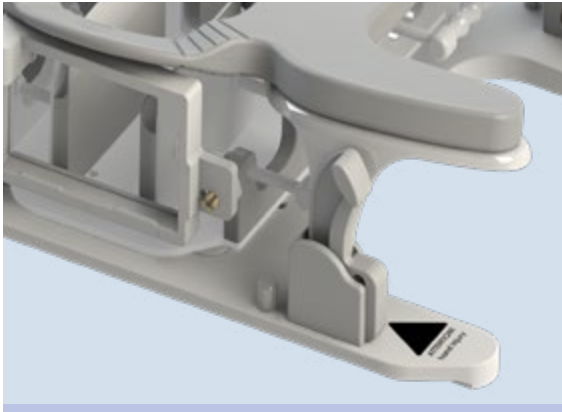
Product Image



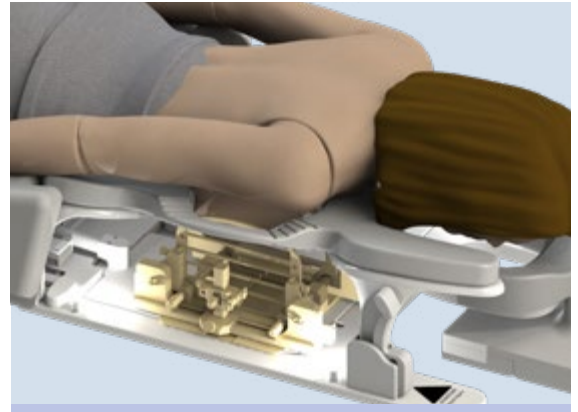
Soft patient cushion



Height adjustable head rest

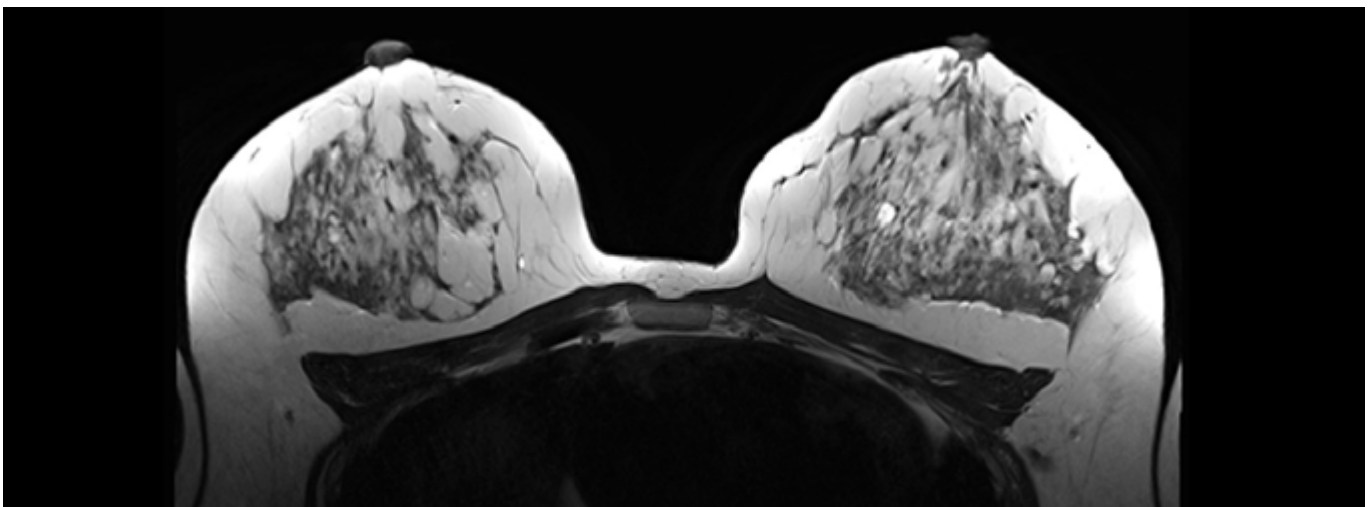


Simple height adjustable positioning



Wide access for breast biopsy

MR Image



Transversal view
Siemens 3T Skyra

Technical Specifications & Scanner Compatibility



[SCAN ME]

Why NORAS MRI products?

For more than 35 years, NORAS MRI products GmbH has been a trusted partner for high-resolution imaging in MR-based diagnostics and intervention.

We exist to bring innovative, high-quality solutions to life, as well as to enable our industry partners to deliver exceptional patient care and outcomes. Through continuous innovation, development and solution delivery, we address the needs and challenges of the MRI coil industry.

Contact us to learn more about the application areas of our solutions for your MR-based tasks.

GERMANY

NORAS MRI products GmbH

Leibnizstrasse 4
97204 Hoechberg
Tel.: +49 (0) 931 2 99 27 0
Fax: +49 (0) 931 2 99 27 20
info@noras.de
www.noras.de

USA

NORAS MRI products GmbH

Mr. John Wilkie
Waukesha, WI 53189
Tel.: +1 (414) 350 4433
sales-usa@mri-products.com
www.mri-products.com

Follow us



NORAS MRI products GmbH



NORASMRI